



# Minimize WIP Inventory

## Here's How:

The OnTrack® Manufacturing Execution System from Portico Technology Partners reduces work-in-process inventory by scheduling, monitoring, and tracking your manufacturing process. Now, you can accurately assess the true status of unfinished jobs and more effectively manage them to completion.

## Real-Time Monitoring and Tracking

Throughout the entire manufacturing operation, OnTrack monitors activity across your factory floor, collecting detailed data about each order. With just a few clicks, you'll know the exact status of each order – where it is in process, why it has been delayed during production, or the time the order was completed – so you can make sure WIP inventory moves through production as quickly as possible.

## More Efficient Scheduling

With OnTrack finite capacity scheduling, routings and operation steps are verified before orders are dispatched. OnTrack provides the real-time status that manufacturing planners need prior to the release of the order, so no order is released until all necessary resources are available. More control over the scheduling process minimizes inventory left on the floor.

## Controlled Routing Ensures Proper Flow

OnTrack ensures that orders are dispatched from station to station as soon as materials are available to complete the work. OnTrack's framework enforces structure and discipline on the floor, ensuring that the proper material and process flow is followed, resulting in faster inventory turns and lower costs. WIP inventory no longer sits on the factory floor waiting for the next operation to begin, wasting valuable time and risking damage.

## Built-in Management Tools

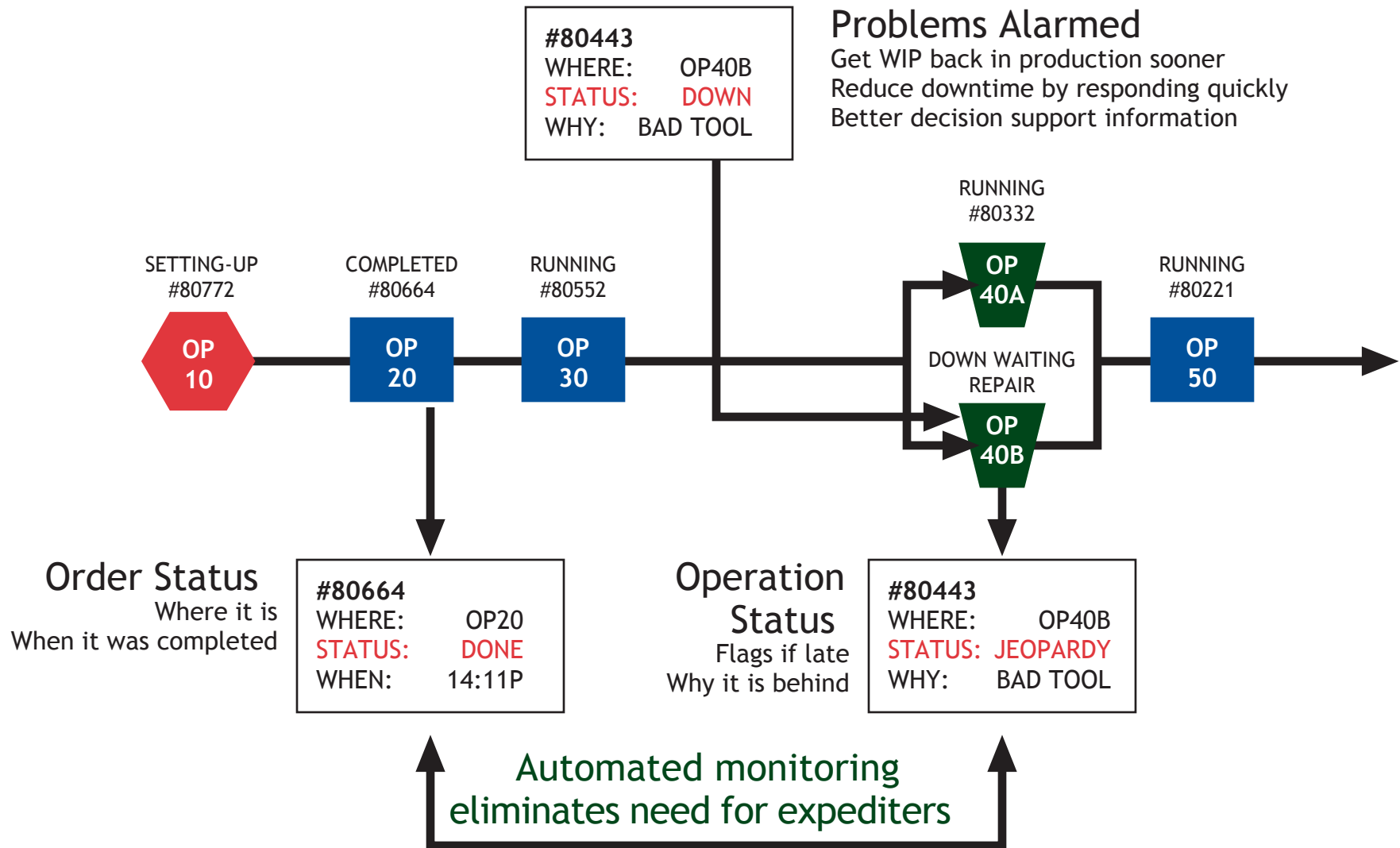
OnTrack delivers the information required to continually analyze and improve your operation, squeezing valuable time from the manufacturing process. OnTrack provides the tools and information needed to identify wasteful and inefficient processes, reducing WIP inventory on the floor.

Reduce WIP inventory – implement OnTrack from Portico on your factory floor and improve cycle times, cut costs, and reduce damaged parts.

Learn about all the ways OnTrack helps you reduce WIP! Call (308) 717.6270 today for more information or visit our website at [www.PorticoTechPartners.com](http://www.PorticoTechPartners.com).

Portico Technology Partners  
Phone: 630.717.6270  
[www.PorticoTechPartners.com](http://www.PorticoTechPartners.com)

# Minimize WIP Inventory With Real-Time Visibility



OP = Operation