



Improve Capacity and Throughput

Here's How:

The OnTrack[®] Manufacturing Execution System from Portico enforces process control in your manufacturing environment, so capacity and throughput improve dramatically.

Resource Scheduling For Maximum Efficiency

The cost of carrying raw materials is a significant part of total production cost. With OnTrack finite capacity scheduling, you can schedule orders to meet due dates while deferring initial material costs for as long as possible. The closer to the due date an order is initiated, the less time you'll be required to commit this valuable inventory to orders.

Controlled Routing Enforces Your Process

OnTrack routes work only to the locations that are capable of performing the work – those with an operational machine and available time and material. Plus, the system ensures that the proper material and process flow is followed, enforcing structure and discipline on the floor. Products are built correctly the first time, resulting in faster productivity and lower costs.

Fast, Accurate, Reliable Communication

With OnTrack, operators receive electronic instructions that are always up-to-date, available, and easily accessed. This drastically reduces the need to manage paperwork on the factory floor. The electronic display also eliminates time wasted by employees tracking down lost or misplaced paperwork – they'll always have the information they need to do it right the first time.

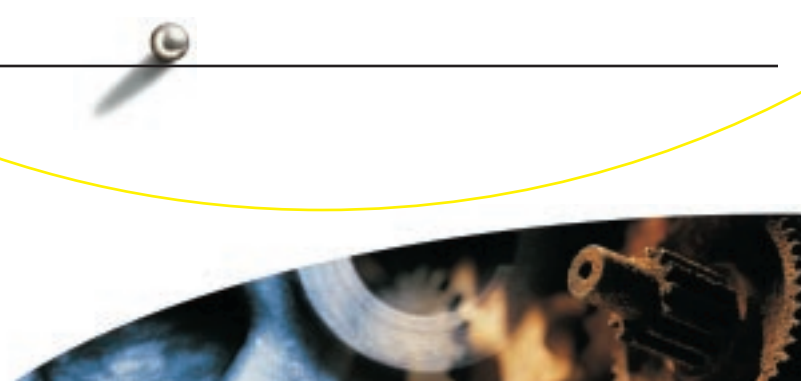
Information To Increase Productivity

To help you analyze and manage your manufacturing operation, OnTrack collects and delivers all production and test information during the same process step for each order on the floor. This precise control means that manufacturing processes can be compared, measured, and improved to maximize productivity in a dynamic environment.

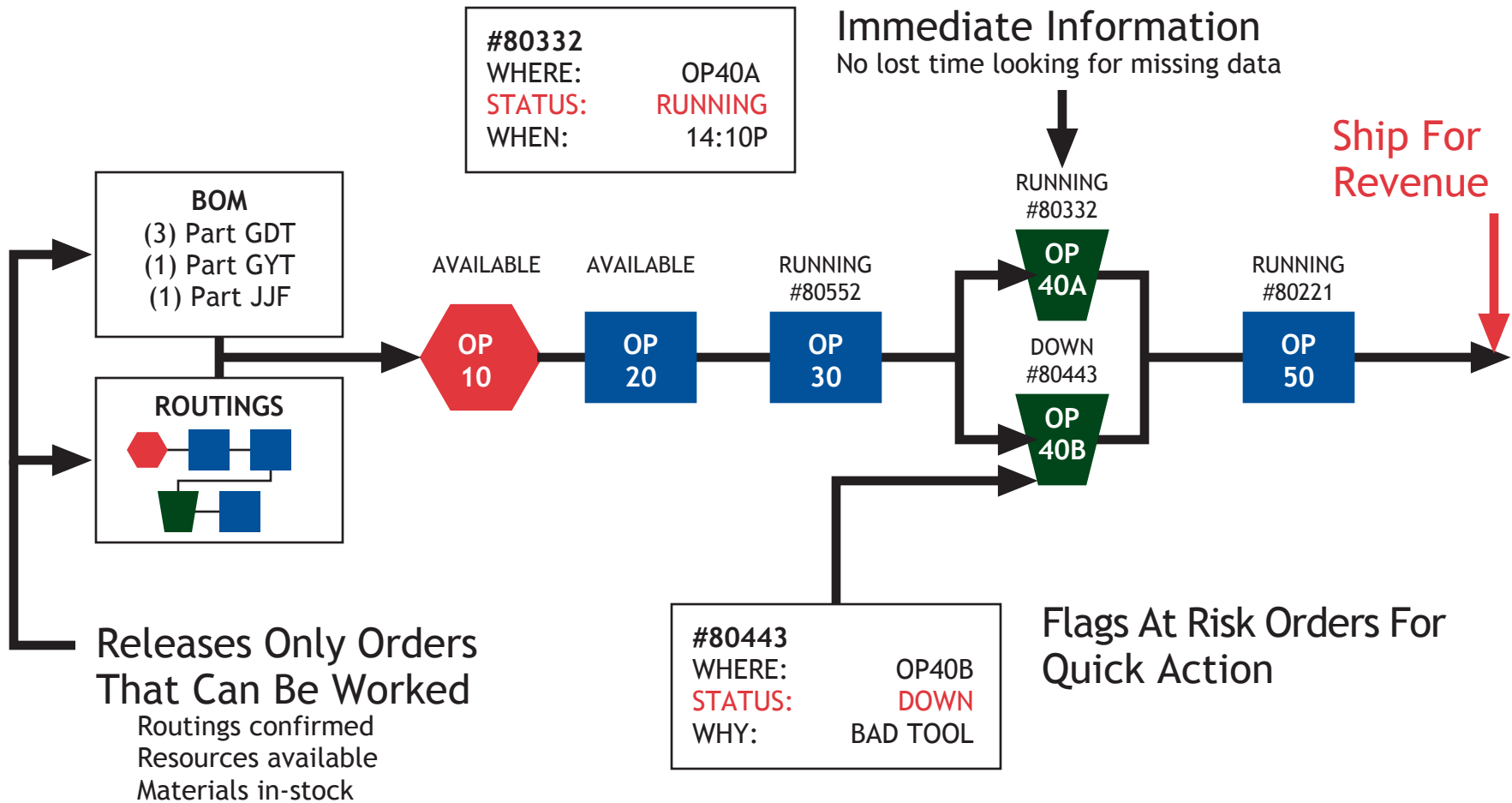
By maximizing capacity and throughput across your manufacturing operation, you'll reduce cycle time, cut costs, and boost productivity – with OnTrack from Portico.

Learn more about all the ways OnTrack helps you improve capacity and throughput! Call (630) 717-6270 for more information or visit our website at www.PorticoTechPartners.com.

Portico Technology Partners
Phone: 630.717.6270
www.PorticoTechPartners.com



Maximize Throughput



OP = Operation